

PREAMP
LO-CUT/ENHANCER



ZONE REV. DATE COMMENTS

1 3/79 1000 PASSED TO ENHANCER
2 11/79 1000 PASSED TO ENHANCER
3 11/79 1000 PASSED TO ENHANCER
4 11/79 1000 PASSED TO ENHANCER
5 11/79 1000 PASSED TO ENHANCER
6 11/79 1000 PASSED TO ENHANCER
7 11/79 1000 PASSED TO ENHANCER
8 11/79 1000 PASSED TO ENHANCER
9 11/79 1000 PASSED TO ENHANCER

DESIGNED BY SFG
DATE: 9/7-66-24

TO PAGE #2
"PREAMP OUTPUT"

TO PAGE #2,3
"PREAMP OUTPUT"
"USER & 35-ESS-CU"

D

C

B

A

9

8

7

6

5

4

3

2

1

9

8

7

6

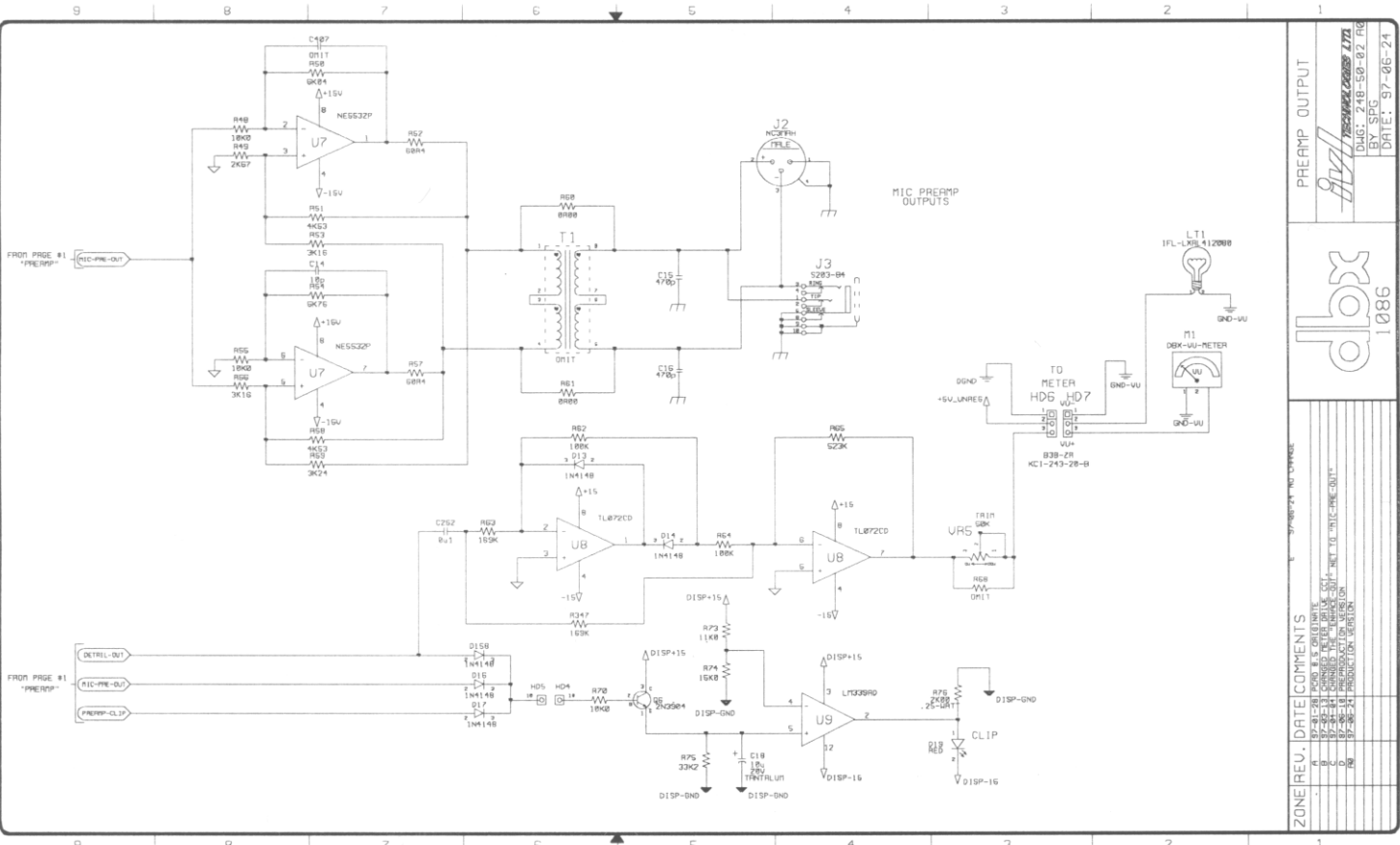
5

4

3

2

1



PREAMP OUTPUT

Handwritten signature

DESIGNED BY: SFG
 DATE: 97-06-24



ZONE/REV. DATE/COMMENTS

4	97-06-24	POWER B.L.S. ORIENTED
3	97-06-24	CONVERTED FROM 12V TO 15V
2	97-06-24	ADDED 100K TO 10K
1	97-06-24	PRODUCTION VERSION

